

Positive Displacement Integrated Meter System



Servo-Flo 404 Shot Meter

- ▶ The robot controlled Servo-Flo 404 eliminates the cost and need for independent controls
- ▶ Motor, drive, meter and dispense valve are integrated into a single module for compact mounting applications
- ▶ Integrated linear servo motor/drive package provides precise positioning and smooth motion for accurate flow control and material dispensing
- ▶ One-part shot metering provides positive displacement dispensing accuracy without the need for flow meters
- ▶ The integrated or remote No-Drip®, or Tip-Seal™ material dispense valves are available for streaming, extruding and spraying
- ▶ Components are designed-for-maintenance to provide long life for maximum up-time and fast and easy maintenance
- ▶ Light-weight components and compact design for robot EOA or pedestal mounting
- ▶ Point-of-application metering provides superior response time dispense control

Precision Metering Unit for Adhesive, Sealant and Mastic Materials

The Servo-Flo™ 404 metering system robotically applies uniform beads of single component adhesives or sealants. The servo-driven, positive displacement metering unit provides the most accurate dispensing design available. This mechanically robust design uses closed-loop processing for electronic control of meter positioning (fluid volume) and velocity (material flow rate) requirements. The meter and dispense valve divorced-design and seal selection is ideally suited to handle abrasive or filled materials.

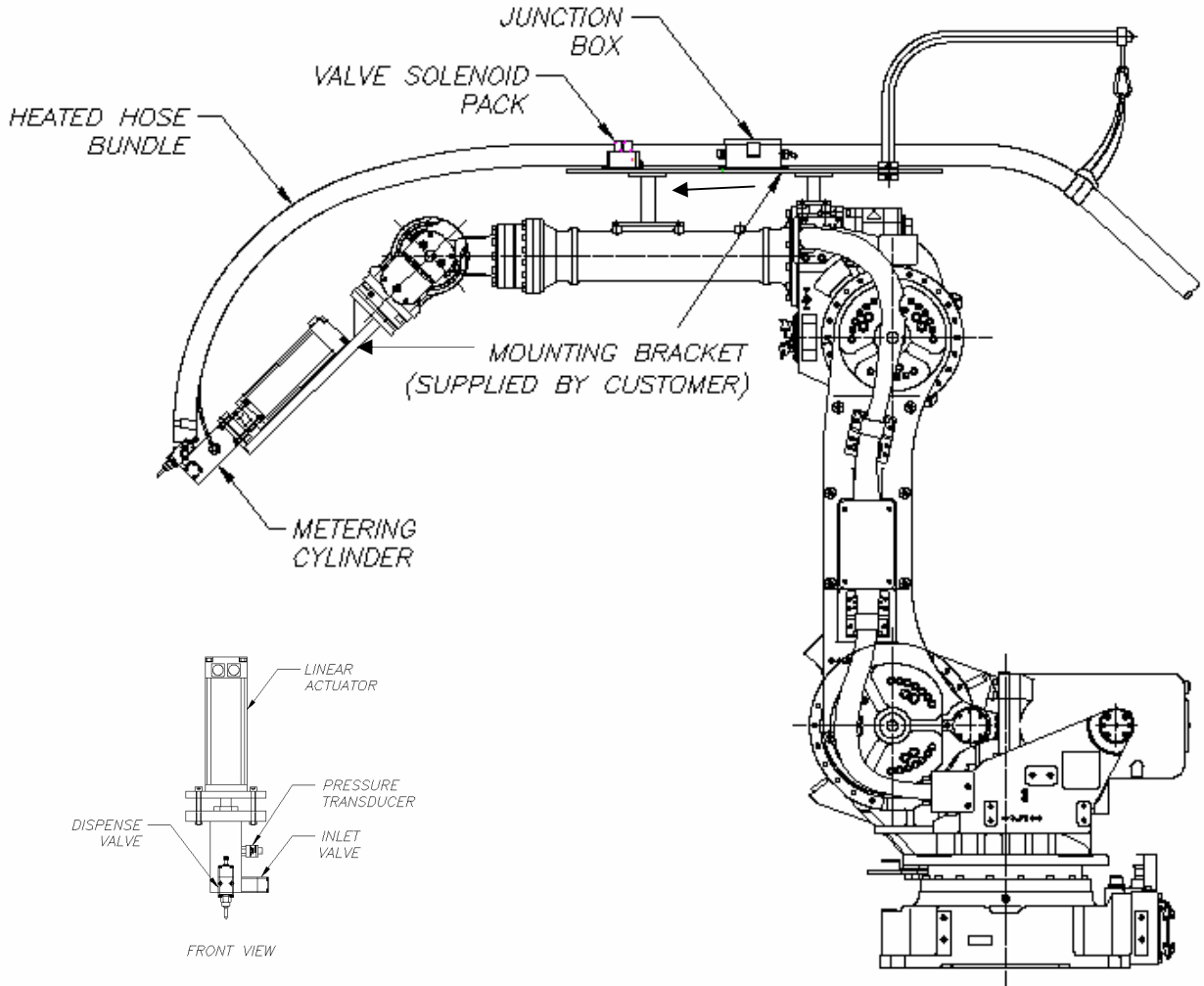
Typical Applications

- Integrated dispensing systems
- Streaming, extrusion, spray and high speed mastic stitching applications
- Robotic end-of-arm mounting requirements
- Pedestal mounting applications

Servo-Flo™ 404 Metering System



Robot End-Of-Arm Mounting Concept



Manufacturers of Precision Dispense Systems & Valves

45677 Helm Street • P.O. Box 701460
Plymouth, MI 48170 • USA
Phone: (734) 459-8600 Fax: (734) 459-8686
Web: www.SealantEquipment.com
E-mail: sales@SealantEquipment.com